

Current part is item (15) on diagram. Available at www.oshkoshequipment.com

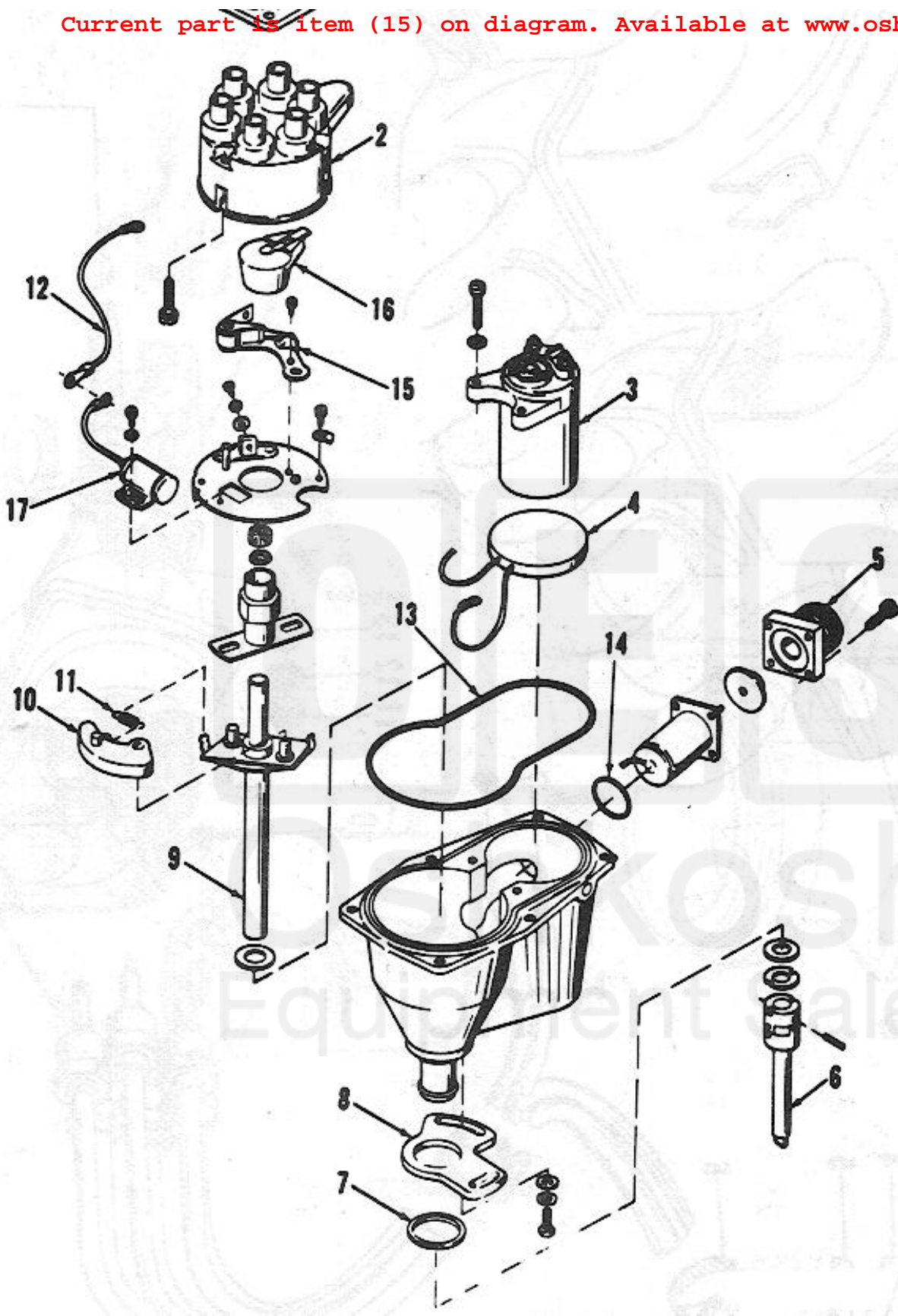


Figure 39: Ignitor Assembly

| | | | | | | | | |
|--|--|--|--|---|---|--|--|----------------------|
| | | | | (6) 30-day DS maint. allowance | (7) 30-day GS maint. allowance | | | (10) Illustration |
|--|--|--|--|---|---|--|--|----------------------|

Current part is item (15) on diagram. Available at www.oshkoshequipment.com

| | | | | | | | | | | | | | | |
|-----|---------------|--|----|---|---|---|---|---|---|---|--|--|----|----|
| PO | 2920-358-7498 | 1-CONTACT SET IGS2224LB (19728) | | | * | * | * | * | * | * | | | 39 | 15 |
| PO | 2920-640-7230 | 1-ROTOR, IGNITOR IAUI066 (19728) | | | * | * | * | * | * | * | | | 39 | 16 |
| PO | 5910-667-5076 | 1-CONDENSER PACKAGE IAT3076DS (19728) | | | * | * | * | * | * | * | | | 39 | 17 |
| PO | 2920-443-4834 | TUBE, IGNITOR VENT 11657286 (19207) | EA | 1 | * | * | * | * | * | * | | | 20 | 2 |
| | | 0607-INSTRUMENT PANEL WASHER, LOCK, HARNESS MOUNTING 418123 (57733) | EA | 1 | * | * | * | * | * | * | | | 40 | 1 |
| PO | 5310-752-6593 | WASHER, HARNESS MOUNTING, OUTER 7526593 (19207) | EA | 1 | * | * | * | * | * | * | | | 40 | 2 |
| X20 | 2590-247-0016 | HARNESS, WIRING INSTRUMENT CLUSTER 8376501 (19207) | EA | 1 | * | * | * | * | * | * | | | 40 | 3 |
| PO | 2510-657-9746 | FASTENER, CLUSTER TO INSTRUMENT PANEL 7533778 (19207) | EA | 4 | * | * | * | * | * | * | | | 40 | 4 |
| X20 | | PANEL, INSTRUMENT ASSEMBLY MS51399-2 (96906) | EA | 1 | * | * | * | * | * | * | | | 40 | 5 |
| PO | 6685-936-2139 | INDICATOR, TEMPERATURE MS24543-2 (96906) | EA | 1 | * | * | * | * | * | * | | | 40 | 6 |
| PO | 5310-752-6591 | NUT, PUSH ON, INSTRUMENT PANEL MOUNTING 7526591 (19207) | EA | 4 | * | * | * | * | * | * | | | 40 | 7 |
| PO | 5325-757-1963 | STUD, INSTRUMENT CLUSTER MOUNTING PLATE 7526590 (19207) | EA | 4 | * | * | * | * | * | * | | | 40 | 8 |

Current part is item (15) on diagram. Available at www.oshkoshequipment.com